

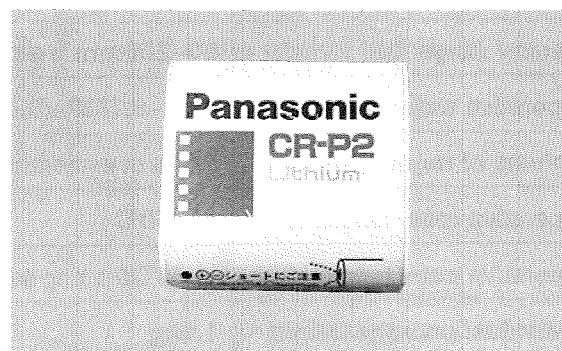
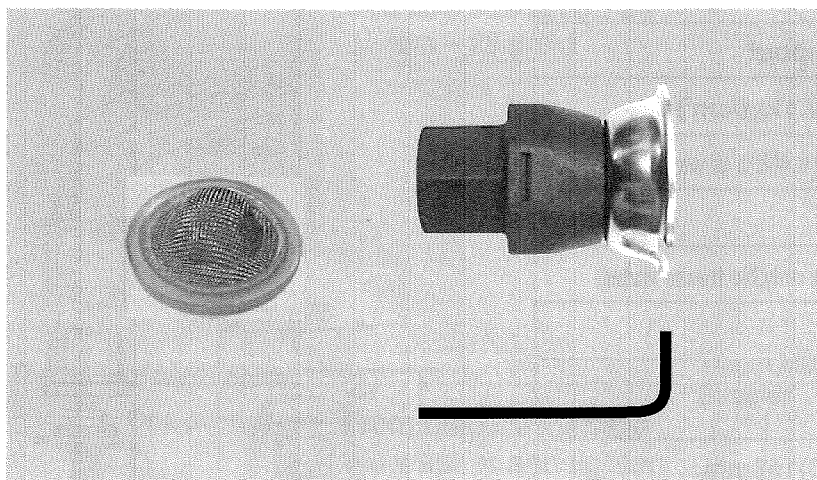


Sensor Operated Automatic Faucet Installation Instructions

**MODEL:H5471MM
Metal Body**

1 !!THE MOST IMPORTANT REMARK!!

WHEN INSTALL "MOEN FAUCET"
YOU CAN NOT MISS TO INSTALL **A MESH STRAINER**



Lithium Battery(CR-P2:6V)

A mesh strainer is included in accessories package.

2

VERY IMPORTANT REMARKS

● Setting sensor reflection distance:

During first 30 seconds when a battery is installed in battery compartment, the sensor will automatically adjusting the best workable reflection distance to suit the environment by blinking the LED.

To avoid the malfunction of the sensor, please do not put any object in front of the sensor window during the first 30 seconds when the faucet is adjusting the working distance.

● Abnormal reflection detection:

If the sensor detects an object continuously for longer than 30 seconds, running water will stop automatically.

If an object stays for longer than 6 minutes, LED will start to blink until the object is removed.

● Warning for weak battery:

LED will blink at 0.2 seconds interval.

● Warning for battery replacement:

LED will blink at 3 seconds interval for 24 hours.

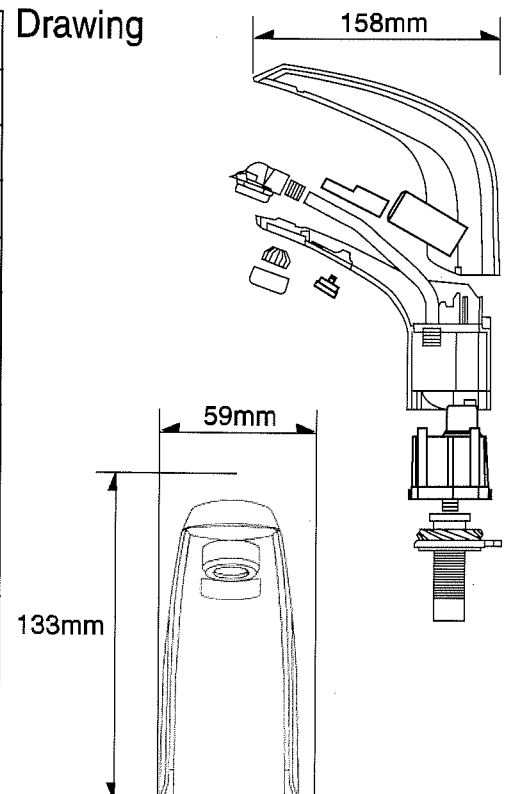
3

MOEN Sensor Operated Automatic Faucet

Specification Sheet

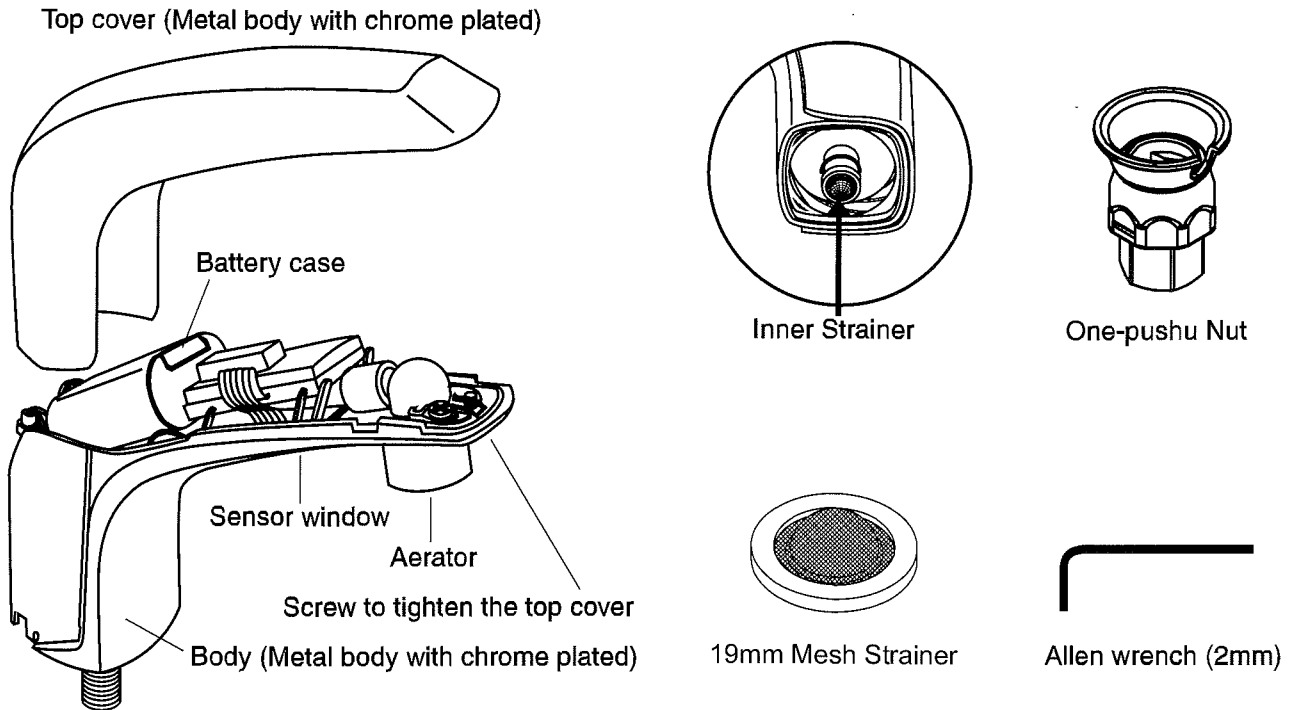
Power	Lithium battery CR-P2 6V
Battery life	100 eyes per day-about 3 years
Sensor range	50~200mm from spout
Operative water pressure	0.05~0.7MPa(0.5-7.1kgf/cm ²)
Volume of running water	5 litres over/minutes at 0.4MPa of water pressure
Operative room temperature	+1~50°C
Operative water temperature	+1~50°C(Drinking water only, No freeze water)
Individual package weight	1.6kg
Body weight (Excluding a battery)	About 1.25kg
External size	(H)133×(W)59×(D)158mm
Requires hole size at wash basin	φ25mm~φ28mm

Drawing



4

Name of the each part (The package includes)

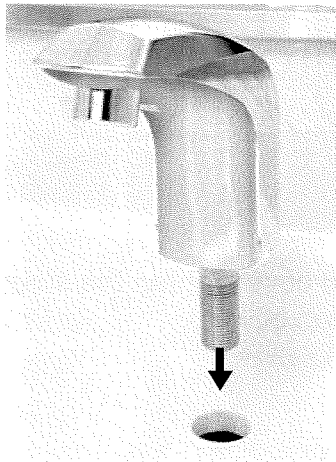


5

How to install MOEN Sensor Faucet

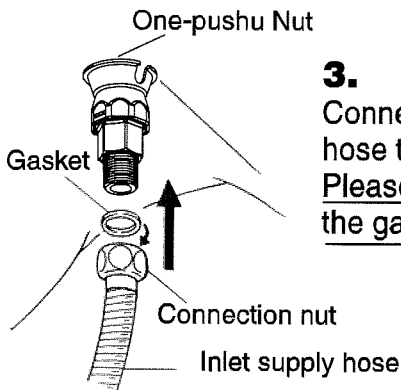
Remark:

PLEASE DO NOT insert a **BATTERY** before installation of the faucet body to the washbasin is completed.

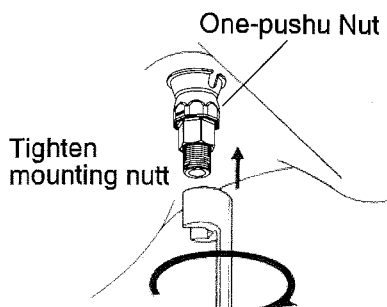


The back of wash basin

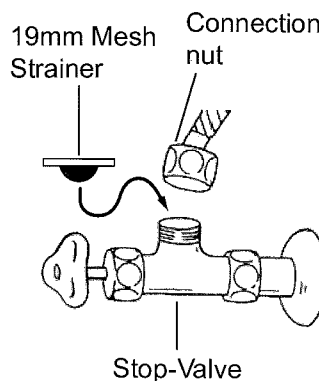
1. Put MOEN Sensor Faucet into the hole of wash basin. The hole size should be 25 mm – 28 mm ϕ



3. Connect the inlet supply hose to the mounting stand. Please do not forget to put the gasket before tie.



2. From below, assemble the washer and tighten the mounting nut to the mounting stand.



4.
1) 19mm mesh strainer is used as packing between stop-valve and hose. Bump side of mesh strainer should be installed toward stop-valve side.

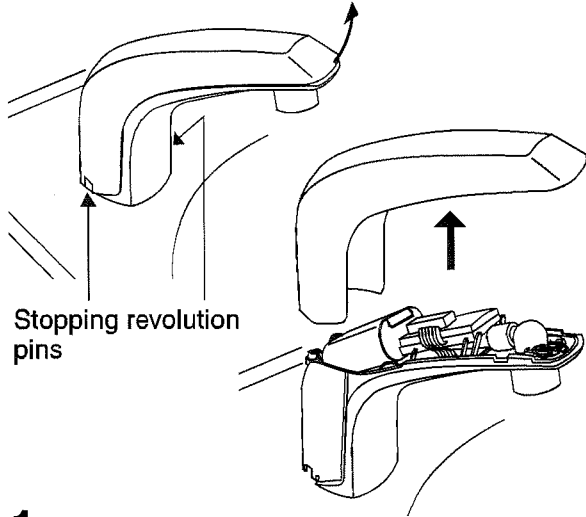
2) When the flow of waer does not work smoothly, it may be blocked by some garbage. Please taking off 19mm mesh strainer and clean up it by soft brush.
* When taking off mesh strainer, please confirm the stop-valve is closed.

6

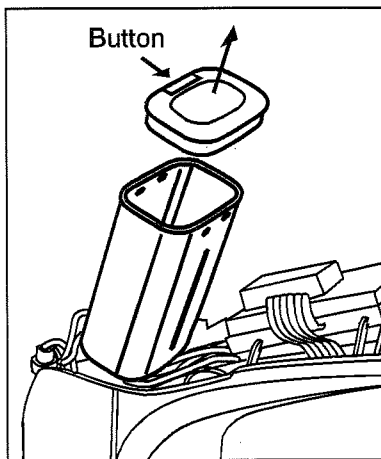
How to install a lithium battery.

Remark:

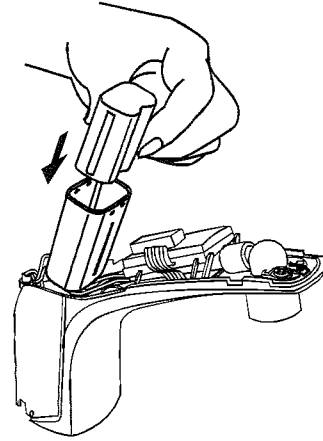
PLEASE DO NOT insert a **BATTERY** before installation of the faucet body to the wash basin is completed.



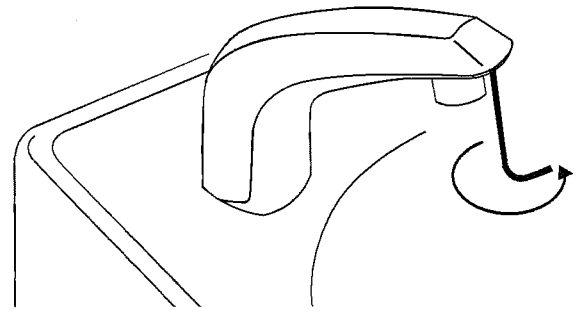
- 1.** Pull the tip of top cover upward and slide straight gently until the cover is fully removed from the body.
Please do not take out the stopping revolution pins of the MOEN Sensor Faucet when you install the battery.



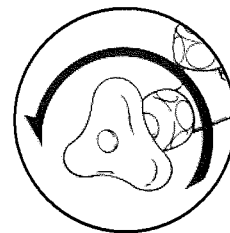
- 2.** Push the button gently to open the battery box. (Please see the pictures).



- 3.** Insert the lithium battery(CR-P2). Electrode must to be facing to the bottom of battery case. Please do not put your hand in the front of the sensor window for the first 30 seconds when the sensor is setting the distance. After 30seconds, please check the movement of the solenoid valve by a click sound when your hand is put under the sensor window.



- 4.** After sliding back the top cover,tighten the screw by the minus Driver to the top cover.



- 5.** Check to make sure the faucet is mounted securely to the wash basin, then open the angle supply valve.